

# Datasheet

## LIFE BOAT HOOK PX-WHK40

# T-ISS

### Product description

The T-ISS Life Boat Hook PX-WHK40 is a robust and sizable release hook engineered to manage heavy lifeboats with ease. These hooks boast a safe working load (SWL) of 40 kilonewtons (KN), equating to impressive weight capacities of approximately 3320 kilograms for the PX-WHK40.

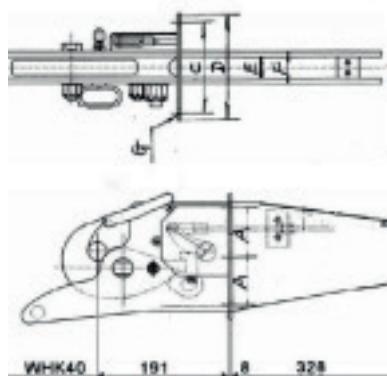
Crafted specifically to accommodate large and weighty lifeboats, these hooks are equipped with a specially designed release mechanism for optimal functionality and safety. This product comes as a set. A set includes 2 hooks, 3 soft shafts, a set of release handles, and a static water pressure release.

### Pictures

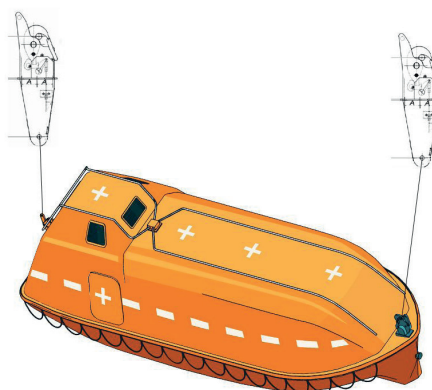


### Dimensions

Art.no: RELHK-WHK40  
Dimensions: 527 x 180 x 202 mm  
Weight: 110kg



### USE



### Certificates & Standards

These release hooks has been tested in compliance with IMO Res. MSC.48(66), as amended and IMO Res. MSC.81(70), as amended by Resolution MSC.321(89).

In compliance with the Life-Saving appliances requirements of Marine Equipment Directive (MED) 2014/90/EU, including the requirements and testing standards of Regulation (EU) 2022/1157.

SOLAS Rina Wheelmark Approved

### Specifications

Maximum Safe Working Load: 4100 kg  
Material: Stainless steel 316/Duplex

HS CODE: 73269098  
COO: China