

Datasheet

LIFE BOAT HOOK

PX-WHK65

T-ISS

Product description

The T-ISS Life Boat Hooks PX-WHK65 is a robust and sizable release hook engineered to manage heavy lifeboats with ease. These hooks boast a safe working load (SWL) of 65 kilonewtons (KN), equating to impressive weight capacities of approximately 4200 kilograms for the PX-WHK65.

Crafted specifically to accommodate large and weighty lifeboats, these hooks are equipped with a specially designed release mechanism for optimal functionality and safety.

This product comes as a set. A set includes 2 hooks, three soft shafts, a set of release handles, and a static water pressure release.

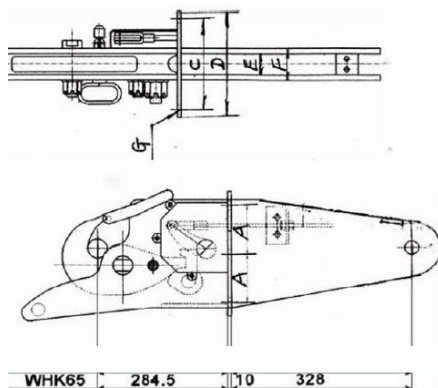
Pictures



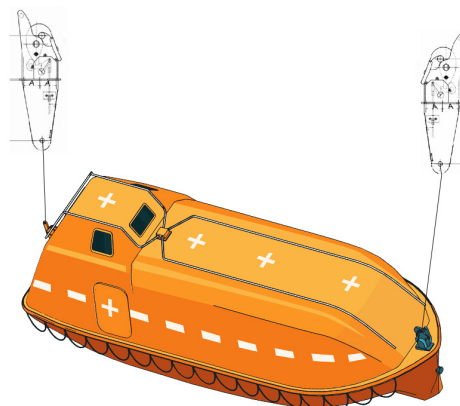
Dimensions

Art.no: RELHK-WHK65

Dimensions: 622,5 x 216 x 242 mm
weight: 110kg



Applications & Use



Certificates & Standards

These release hooks has been tested in compliance with IMO Res. MSC.48(66), as amended and IMO Res. MSC.81(70), as amended by Resolution MSC.321(89).

In compliance with the Life-Saving appliances requirements of Marine Equipment Directive (MED) 2014/90/EU, including the requirements and testing standards of Regulation (EU) 2022/1157.

SOLAS Rina Wheelmark Approved

Specifications

Maximum Safe Working Load: 6600 kg
Material: Stainless steel 316/Duplex

HS code: 73269098